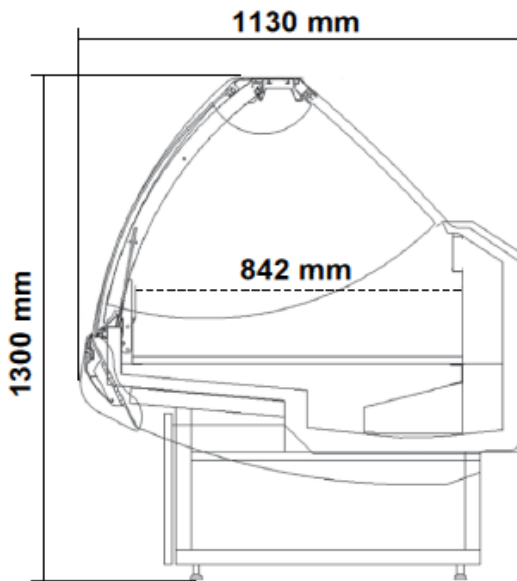
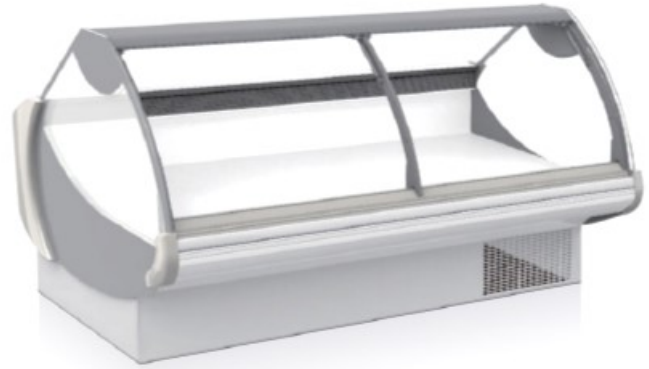




# ALTITUDE

REFRIGERATION SOLUTIONS

# E-SERVICE COUNTER DELI



## PRODUCT FEATURES

- Efficient and reliable refrigeration technology
- Suitable for deli products
- Energy efficient
- Digital display
- Condensate pan, hot gas for evaporator and standby secondary heater
- Available as a remote or self-contained unit

## TECHNICAL SPECIFICATIONS

Model	AGB0.25E	AGB0.4E (F)	AGB0.5E (F)	AGB.7E (F)
Exterior size (mm)	1350 x 1130 x 1300	1975 x 1130 x 1300	2600 x 1130 x 1300	3850 x 1130 x 1300
Display areas (m <sup>2</sup> )	1.05	1.60	2.10	3.20
Temperature Range (°C)	0 ~ 5	0 ~ 5	0 ~ 5	0 ~ 5
Power Input (W)	440	500	700	1000

## CONTACT US

Please contact Altitude Refrigeration Solutions for a free quote via telephone 1800 953 260 or email [info@altituderefrigeration.com.au](mailto:info@altituderefrigeration.com.au).

### Altitude Refrigeration Solutions Pty Ltd

**Telephone:** 1800 953 260

**Website:** [www.altituderefrigeration.com.au](http://www.altituderefrigeration.com.au)

**Email:** [info@altituderefrigeration.com.au](mailto:info@altituderefrigeration.com.au)

**Postal Address:**

PO Box 384, Kellyville NSW 2155 Sydney Australia

PO Box 678 Oxenford QLD 4210 Gold Coast Australia

