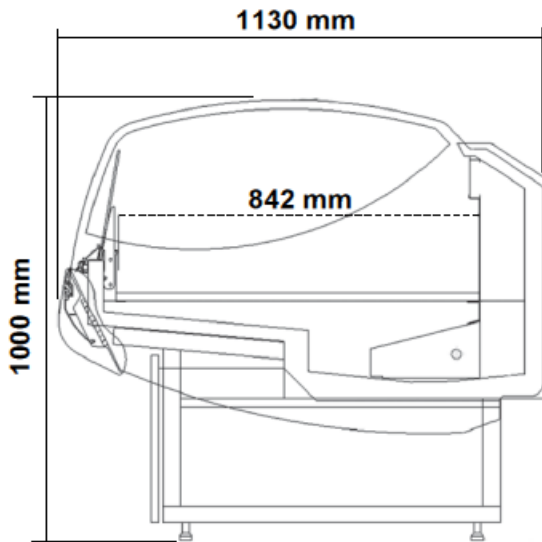




ALTITUDE

REFRIGERATION SOLUTIONS

E-SERVICE COUNTER MEAT



PRODUCT FEATURES

- Efficient and reliable refrigeration technology
- Suitable for meat products
- Energy efficient
- Open style showcase
- Digital temperature control
- Condensate pan, hot gas for evaporation and standby secondary heater
- Available as remote or self-contained unit

TECHNICAL SPECIFICATIONS

Model	AME-1350 / (F)	AME-1975 / (F)	AM-2600 / (F)	AME-3850 (F)
Exterior size (mm)	1350 x 1130 x 1000	1975 x 1130 x 1000	2600 x 1130 x 1000	3850 x 1130 x 1000
Display areas (m ²)	1.05	1.60	2.10	3.20
Temperature Range (°C)	0 ~ 5	0 ~ 5	0 ~ 5	0 ~ 5
Power Input (W)	440	500	700	1000

Note: (F) indicates freezer

CONTACT US

Please contact Altitude Refrigeration Solutions for a free quote via telephone 1800 953 260 or email info@altituderefrigeration.com.au.

Altitude Refrigeration Solutions Pty Ltd

Telephone: 1800 953 260

Website: www.altituderefrigeration.com.au

Email: info@altituderefrigeration.com.au

Postal Address:

PO Box 384, Kellyville NSW 2155 Sydney Australia

PO Box 678 Oxenford QLD 4210 Gold Coast Australia

