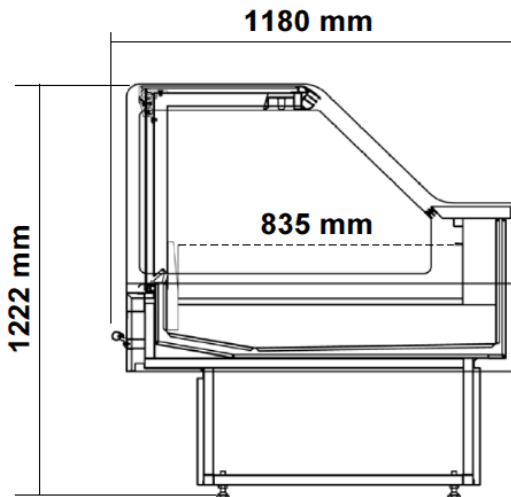




# SERVICE COUNTER

## ALTITUDE

REFRIGERATION SOLUTIONS



### PRODUCT FEATURES

- Efficient and reliable refrigeration technology
- Modern right angle cabinet suits modern supermarket concept
- Tempered glass lift up for easy access and cleaning
- Easy access via plexiglass sliding door
- Available as a remote and self-contained unit
- Swipe up or sliding glass door model available

### TECHNICAL SPECIFICATIONS

Model	ASC-U-1875	ASC-U-2500	ASC-U-3750	ASC-S-1875	ASC-S-2500	ASC-S-3750
Exterior size (mm)	1875 x 1180 x 1222	2500 x 1180 x 1222	3750 x 1180 x 1222	1875 x 1180 x 1222	2500 x 1180 x 1222	3750 x 1180 x 1222
Display areas (m <sup>2</sup> )	1.56	2.08	3.12	1.56	2.08	3.12
Temperature Range (°C)	0 ~ 5	0 ~ 5	0 ~ 5	0 ~ 5	0 ~ 5	0 ~ 5

### CONTACT US

Please contact Altitude Refrigeration Solutions for a free quote via telephone 1800 953 260 or email [info@altituderefrigeration.com.au](mailto:info@altituderefrigeration.com.au).

#### Altitude Refrigeration Solutions Pty Ltd

**Telephone:** 1800 953 260

**Website:** [www.altituderefrigeration.com.au](http://www.altituderefrigeration.com.au)

**Email:** [info@altituderefrigeration.com.au](mailto:info@altituderefrigeration.com.au)

**Postal Address:**

PO Box 384, Kellyville NSW 2155 Sydney Australia

PO Box 678 Oxenford QLD 4210 Gold Coast Australia

