



Thanks to a continuous and regular flow, the water is distributed on a refrigerated surface designed to increase ice production. Three different sizes are available **FULL DICE, HALF DICE** and **LARGE DICE**

High production modular ice maker.  
Up to 215kg production per 24/hr of dice cube.  
Head only, stainless steel cabinet.  
Complete with water & drain hoses.  
10 AMP power supply.



## ICE PRODUCTION

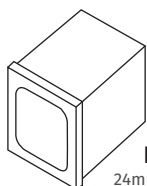
### Air Cooled Unit

Air Temp.		Water Temperature			
		32°	21°	15°	10°
°C					
°F					
10°	<b>185</b>	<b>215</b>	<b>230</b>	<b>240</b>	
50°	408	474	507	529	
21°	<b>175</b>	<b>200</b>	<b>215</b>	<b>220</b>	
70°	386	441	474	485	
32°	<b>135</b>	<b>155</b>	<b>160</b>	<b>165</b>	
90°	298	342	353	365	
38°	<b>120</b>	<b>133</b>	<b>138</b>	<b>140</b>	
100°	265	293	302	309	

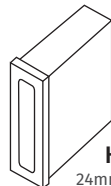
### Water Cooled Unit

Air Temp.		Water Temperature			
		32°	21°	15°	10°
°C					
°F					
10°	<b>175</b>	<b>200</b>	<b>215</b>	<b>220</b>	
50°	386	441	474	485	
21°	<b>170</b>	<b>195</b>	<b>210</b>	<b>215</b>	
70°	375	430	463	474	
32°	<b>160</b>	<b>185</b>	<b>192</b>	<b>197</b>	
90°	353	408	423	434	
38°	<b>155</b>	<b>180</b>	<b>185</b>	<b>190</b>	
100°	342	397	408	419	

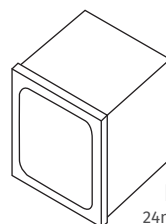
## CUBE TYPE



**10g**  
**FULL CUBE**  
24mm x 22mm x 22mm



**6g**  
**HALF CUBE**  
24mm x 10mm x 29mm



**17g**  
**LARGE CUBE**  
24mm x 29mm x 29mm

Solid ice cube, suitable for quick drink cooling, available in three different sizes, **FULL DICE (M models)**, **HALF DICE (MH models)** and **LARGE DICE (ML models)**, can be used in various applications: ice buckets, whisky on the rocks and cocktails.

## CONTROL PANEL

	Power
	Operating
	Bin Full / Washing
	Alarm
	High Pressure Alarm
	Reset Button / Washing

## SUGGESTED STORAGE BIN



**BH76**  
Stainless steel storage bin.  
244kg capacity.

## DIMENSIONS

W x D x H (mm)  
760 x 620 x 575

## OPERATING REQUIREMENTS

Rejected Heat	2432 W
Air Volume	590 m <sup>3</sup> /h








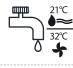





220-240/50/1

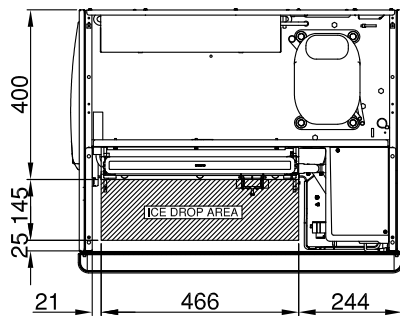
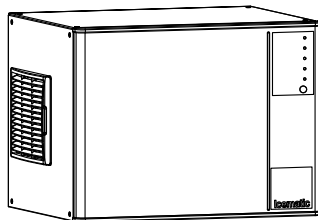
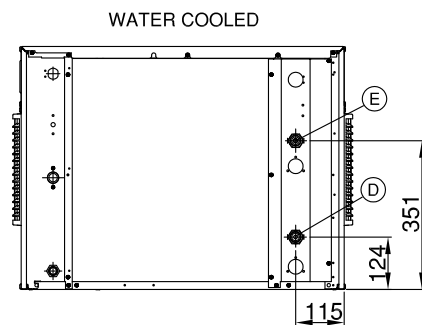
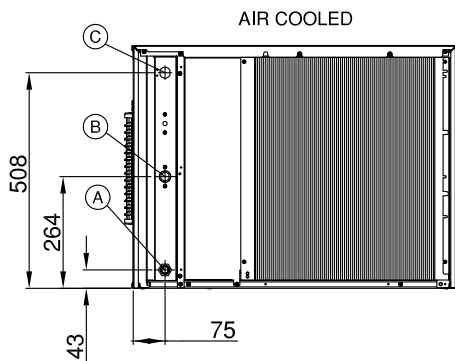
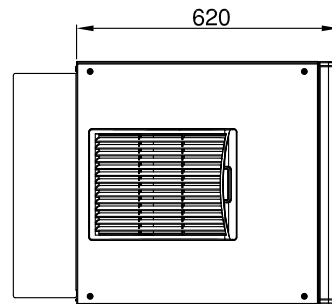
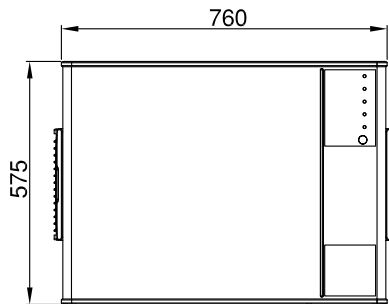


R404a GWP=3922

MIN		MAX
10°C (50°F)		40°C (104°F)
5°C (41°F)		35°C (95°F)
- 10 %		+ 10 %
1 Bar (14 psi)		5 Bar (70 psi)

## SPECIFICATIONS

	 cond	 comp. W	 ABS. W	 Fuse	 kWh/100kg	 L / hr	 kg lbs		 kg lbs		 Ton CO2 equiv.
<b>M202 A</b>		2348	1100	16	14.8	12	70	154	85	187	2.75
<b>M202 W</b>		2348	1000	16	10.6	128	70	154	85	187	1.96



- A** Water drain 20mm diam.
- B** Potable water inlet 3/4" gas
- C** Electrical cable supply
- D** Water cooled inlet 3/4" gas
- E** Water cooled outlet 3/4" gas